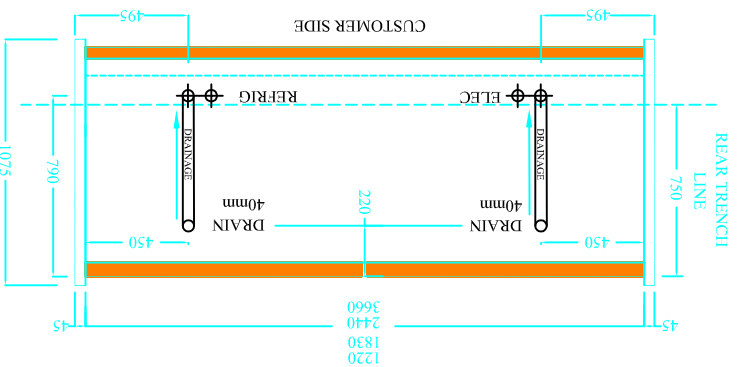
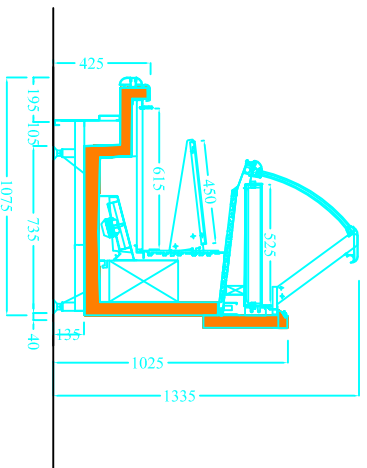


DUAL BUTCHERY



THE DUAL CASE COMBINES SERVICE AND SELF SERVICE APPLICATIONS INTO ONE CABINET
 FRONT SLIDING GLASS AND REAR PERSPEX DOORS MAKES MERCHANDISING AND SERVICING EASY
 THE DUAL CONCEPT IS AVAILABLE FOR THE FOLLOWING : DELI ; BAKERY ; MEAT ; SEAFOODS ;
 HOME REPLACEMENT MEALS & TAKE-AWAY

TOP & BOTTOM COLD - SPECIFICATION

MODEL	CABINET	DISPLAY	REF CAP	EVAP	TEMP. RANGE	ELECTRIC DEFROST	ELECTRICAL WATTS	AMPS	VOLTS
DGR	LENGTH	SURFACE	WATTS	TEMP	RANGE	DEFROST	WATTS	AMPS	VOLTS
DC4R	1220mm	1,76 m ²	840	-6° c	0 - 2° c	510 WATTS	670	3,05	220
DC6R	1830mm	2,64 m ²	1460	-6° c	0 - 2° c	770 WATTS	1095	5	220
DC8R	2440mm	3,50 m ²	1675	-6° c	0 - 2° c	1020 WATTS	1320	6	220
DC12R	3660mm	5,27 m ²	2500	-6° c	0 - 2° c	1530 WATTS	2015	9,15	220

* ADD 45mm FOR EACH PATCH END THE ABOVE SPECIFICATION IS BASED ON STANDARD CONDITIONS OF 25°C - 60% RH



REFRIGERATION (PTY) LTD

WE RESERVE THE RIGHT TO CONTINUALLY IMPROVE OUR PRODUCT , SPECIFICATIONS AND DESIGN . WE ARE ALSO NOT LIABLE TO UPGRADE PREVIOUSLY SOLD EQUIPMENT TO NEW SPECIFICATIONS .

PHONE : (031) 4622323 FAX : (031) 4622383
 E-MAIL ADDRESS : sales@concordrefrigeration.co.za
 WEBSITE : www.concordrefrigeration.co.za