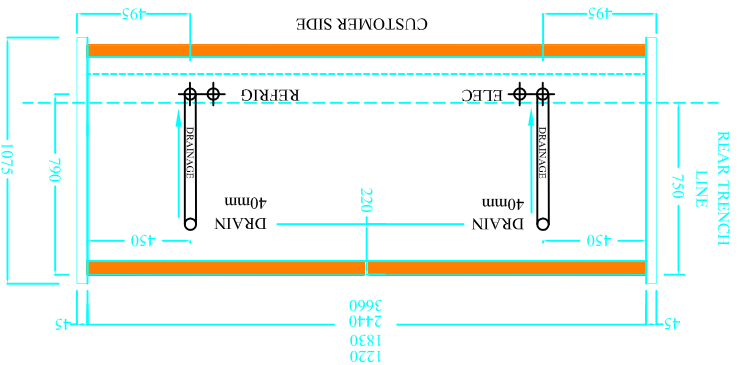
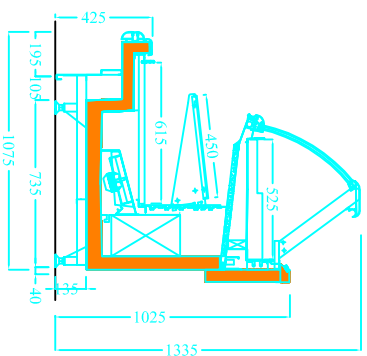


DUAL BAKERY



TOP & BOTTOM COLD - SPECIFICATION

MODEL	CABINET LENGTH	DISPLAY SURFACE	REF CAP WATTS	EVAP TEMP	TEMP. RANGE	ELECTRIC DEHFROST	ELECTRICAL WATTS	AMPS	VOLTS
DCR	1220mm	1.76 m ²	840	-6° c	0 - 2° c	510 WATTS	670	3.05	220
DCJR	1830mm	2.64 m ²	1460	-6° c	0 - 2° c	770 WATTS	1095	5	220
DCGR	2440mm	3.50 m ²	1675	-6° c	0 - 2° c	1020 WATTS	1320	6	220
DC12R	3660mm	5.27 m ²	2300	-6° c	0 - 2° c	1530 WATTS	2015	9.15	220

* ADD 45mm FOR EACH PATCH END THE ABOVE SPECIFICATION IS BASED ON STANDARD CONDITIONS OF 25°C - 60% RH

AMBIENT SPECIFICATION

CABINET LENGTH	DISPLAY SURFACE	MODEL	ELECTRICAL REQUIREMENTS
1220mm	1.76 m ²	DCD	220 V
1830mm	2.64 m ²	DC4D	220 V
2440mm	3.50 m ²	DC6D	220 V
3660mm	5.27 m ²	DC8D	220 V
		DC12D	220 V

* ADD 45mm FOR EACH PATCH END

THE DUAL CASE COMBINES SERVICE AND SELF SERVICE APPLICATIONS INTO ONE CABINET FRONT SLIDING GLASS AND REAR PERSPEX DOORS MAKES MERCHANDISING AND SERVICING EASY THE DUAL CONCEPT IS AVAILABLE FOR THE FOLLOWING , DELI ; BAKERY ; MEAT ; SEAFOODS ; HOME REPLACEMENT MEALS & TAKE-AWAY



REFRIGERATION (PTY) LTD

WE RESERVE THE RIGHT TO CONTINUALLY IMPROVE OUR PRODUCT , SPECIFICATIONS AND DESIGN . WE ARE ALSO NOT LIABLE TO UPGRADE PREVIOUSLY SOLD EQUIPMENT TO NEW SPECIFICATIONS.

PHONE : (031) 4622323 FAX : (031) 4622383
 E-MAIL ADDRESS : sales@concordrefrigeration.co.za
 WEBSITE : www.concordrefrigeration.co.za